

item	type	V 33/1	V 34/1
port size		G 1/2	G 3/4
description		seat valve, spring loaded	
mounting		arbitrary	
supply pressure		Pe max. 16 bar	
aperture pressure		Pe min. 0,1 bar	
media and ambient temperature		max. 60°C (other temperature ranges available upon request)	
discharge P-B G 1/2		Qn 2400 l/min (bei Pe = 6 bar, Δp = 1 bar)	
discharge P-C G 1/4		Qn 1020 l/min (bei Pe = 6 bar, Δp = 1 bar)	
fixing		bracket or througe 2 holes in the body	
weight		0,682 kg	

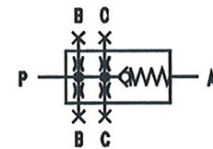


replacement parts

no	description	material	order-no.
1	body	Zink - Z 410	
2	blanking plug	brass - NBR	
3	O-ring 6x1,5	NBR	
4	plunger	brass	
5	spring	stainless steel	

application information

- easy block assembly for components to be connected in series
- in units of serie 32 are V 33 useable
- interlocking of serval individual devices requires couplin kit(s) KP33
- interlocking of serval individual devices with narrow distributor Z 33 requires couplin kit(s) KP33 Z



series 3

ordering information

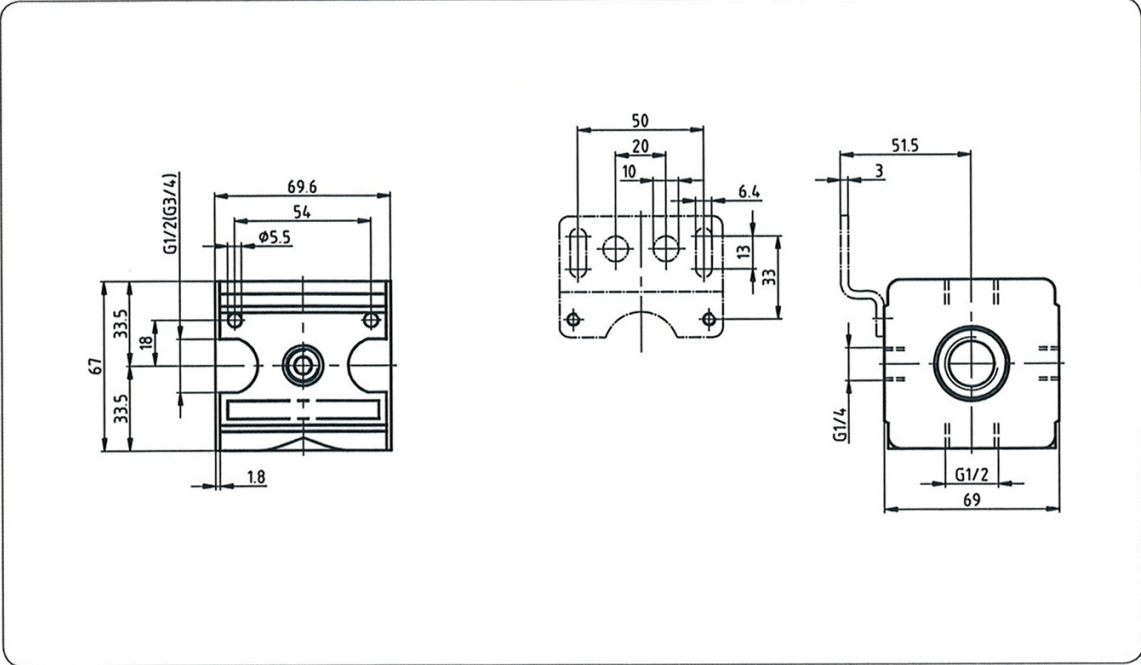
V ** /1

type

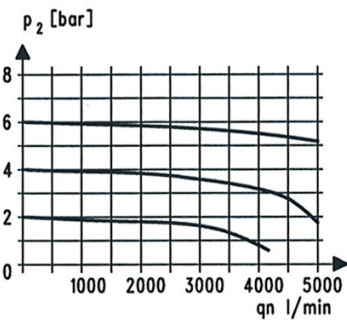
1 port size 2 options

1	port size	
	33	G 1/2
	34	G 3/4
2	options	

dimensions (mm)



flow characteristics



accessories

mounting bracket

type: ZW 33

Four empty rectangular boxes for additional accessories.

various application

